

ULTRA-LOW NOISY DUAL FREQUENCY OCXO MV359

Features:

Output frequencies: 10.0 MHz and 100.0 MHz

Frequency stability: up to $\pm 1E-9$

Operating temperature range: $-40...+80^{\circ}C$

Aging: up to $<\pm 1E-8$ /year

Output signal: SIN

Power supply: 12 V

Short term stability ADEV: $<1E-12$ at 1 s

Package: 67x44x18 mm

ORDERING GUIDE: MV359-B 3 F-100.0 MHz

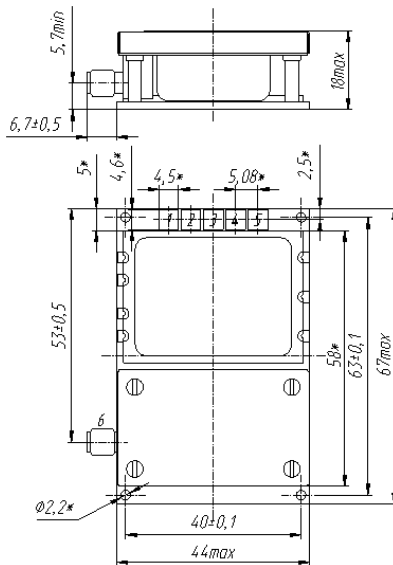
Availability of certain stability vs. operating temperature range		$\pm 5 \times 10^{-9}$	$\pm 3 \times 10^{-9}$	$\pm 2 \times 10^{-9}$	$\pm 1 \times 10^{-9}$
		5	3	2	1
A	0...+50°C	+	+	+	+
B	-10...+60°C	+	+	+	C
C	-20...+70°C	+	+	C	C
D	-40...+70°C	+	+	C	C
EW	-40...+80°C	C	C	C	C

A – available, NA – not available, C – consult factory
For other temperature ranges see designation at the end of Data Sheet

Phase noise, dBc/Hz		
	10 MHz output	100 MHz output
1 Hz	<-118	<-93
10 Hz	<-143	<-123
100 Hz	<-159	<-135
1 kHz	<-165	<-160
10 kHz	<-167	<-174
100 kHz	<-167	<-176

Aging	
F	$\pm 5 \times 10^{-8}$ /year
E	$\pm 3 \times 10^{-8}$ /year
D	$\pm 2 \times 10^{-8}$ /year
C*	$\pm 1 \times 10^{-8}$ /year

* C – consult factory



Pin	Function
1	Uref
2	Uin
3	VCC
4	RF OUT 10MHz
5	GND
6	RF OUT 100MHz (SMA)

Frequency stability vs. load changes	$<\pm 5 \times 10^{-10}$
Frequency stability vs. power supply changes	$<\pm 5 \times 10^{-10}$
Warm-up time within accuracy of $<\pm 1 \times 10^{-7}$ @ 25°C	<3 min
Power supply (U _s)	12V±5%
Steady state current consumption @ 25°C	< 320 mA
Peak current consumption during warm-up	<750 mA
Frequency pulling range (Positive slope) with external control voltage range (U _{in})	$>\pm 4 \times 10^{-7}$ 0...+5

Output	SIN
Level for 10MHz	>4 dBm
Level for 100 MHz	>8 dBm
Load	50 Ohm±5%
Harmonics	<-30 dBc
Vibrations	10-200 Hz, 3g
Shock	75g/3±1ms
Storage temperature range	-55...+85°C
Package size	67x44x18 mm

Additional notes:

- For non standard operating temperature ranges please use the following two letters designations (first letter for the lower limit, second letter for the upper limit), °C:

A	B	C	D	E	F	G	H	J	K	L	M	N	P	Q	R	S	T	U	W	X
-60	-55	-50	-45	-40	-30	-20	-10	0	+10	+30	+40	+45	+50	+55	+60	+65	+70	+75	+80	+85