

ULTRA-LOW NOISY OSCILLATOR FOR HI-END AUDIO EQUIPMENT MV344

Features:

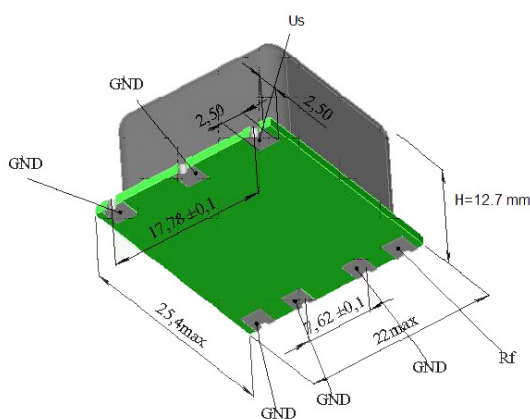
- Standard frequencies: 90.2987 and 98.2843 MHz
- Small package 25x22x12.7 mm
- Low phase noise @ 1Hz offset
- Available as RoHS
- Specially designed for Hi-End audio equipment

ORDERING GUIDE: MV344-98.2843M

Frequency

Standard range, MHz	90.2987	98.2843
Power supply (Us) @ 25°C	12V±5%	
Frequency instability (including initial tolerance)	100x10 ⁻⁶	
Operation temperature range	+15...+50°C	
Long-temp stability @ per year (typical)	≤0.5x10 ⁻⁶	
Current consumption	<30 mA	
Output	CMOS	
Level	≤0.4 V / ≥3.6 V	
Load	10 kOhm/15 pF	
Duty cycle	40...60%	
Phase noise, dBc/Hz @ 1 Hz	<-72	<-71

PACKAGE DRAWING:



Us- Supply voltage
Rf- frequency output
GND – Ground

Vibrations	10-500 Hz / 5g
Shock:	15 g / 3±1 ms
Storage temperature range	-55...+85°C